

6

5

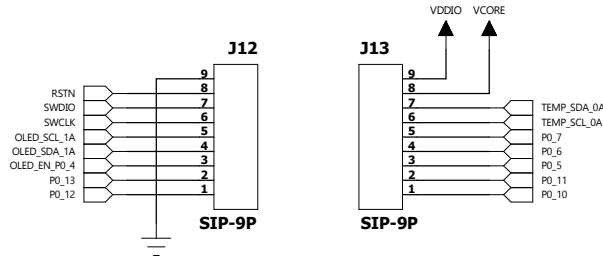
4

3

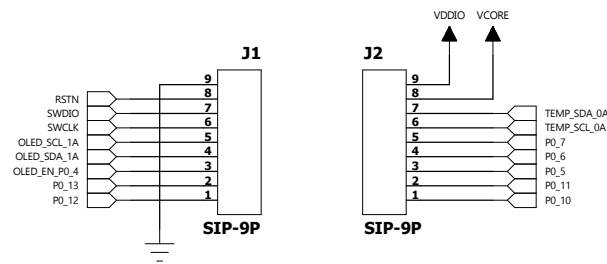
2

1

### Test Point

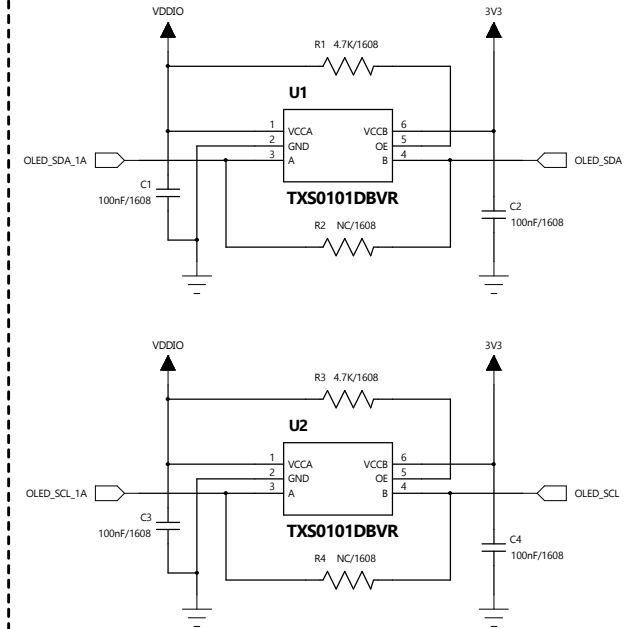


### MAX32660 EVB

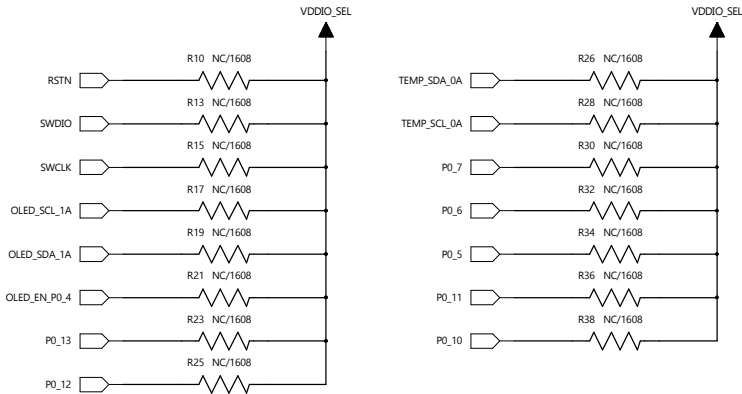


REVISION RECORD			
LTR	ECO NO.	APPROVED:	DATE:

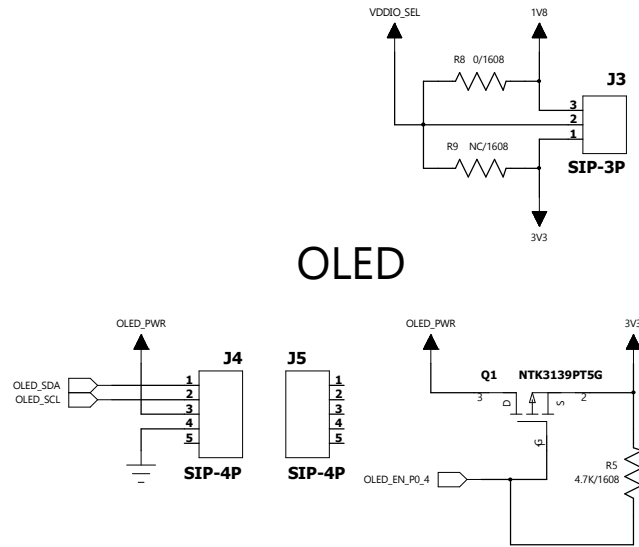
### OLED Level Shifter



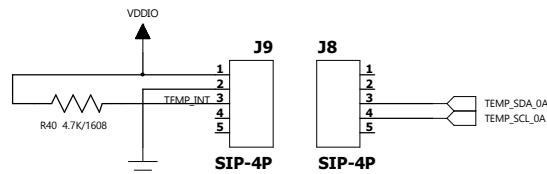
### Pull-up Resistor



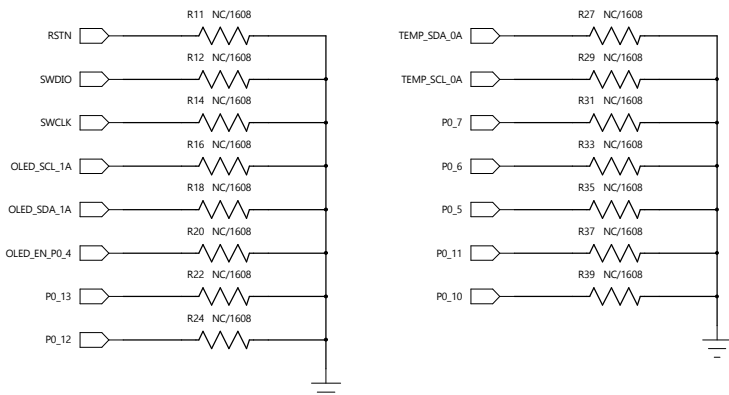
### OLED



### Temp. Sensor



### Pull-down Resistor



COMPANY: CAMMSYS			
TITLE: AKM TEMP TEST BOARD			
DRAWN: S.K.SEONG	DATED: 24. 07. 16	CODE:	REV: 0.0
CHECKED:	DATED:	SIZE: A3	DRAWING NO:
QUALITY CONTROL:	DATED:	SCALE: 1	SHEET: OF 1 1
RELEASED:	DATED:		